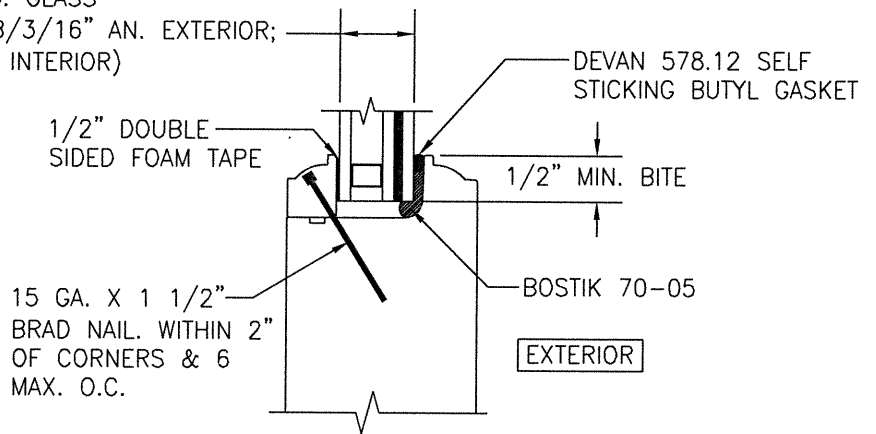


PELLA CORPORATION

102 MAIN STREET  
PELLA, IA 50219  
641-621-1000

PELLA ARCHITECT IMPACT WOOD IN-SWING DOOR

7/8" THICK LAMINATED I.G. GLASS  
(3/16" AN./0.09 KURARAY BUTACITE PVB/3/16" AN. EXTERIOR;  
1/4" SPACER; 3/16" TEMP. INTERIOR)



GLAZING DETAIL  
(OPTION "B")